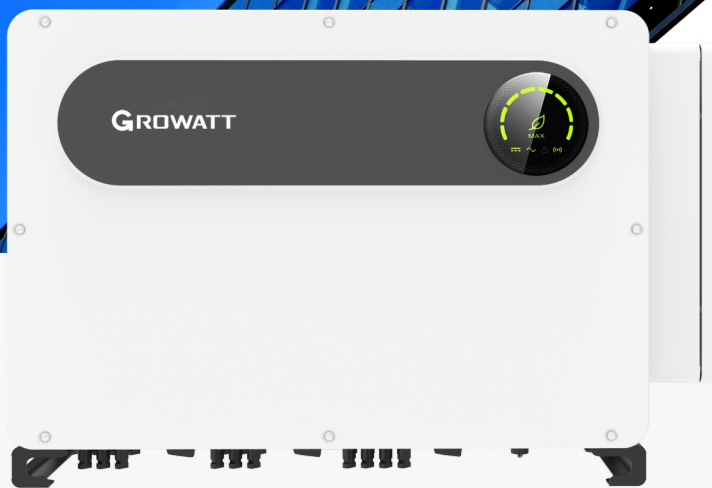
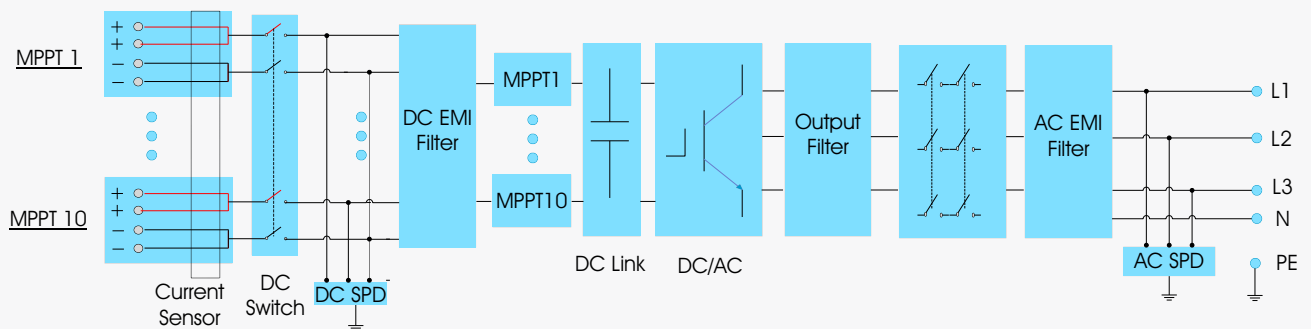


MAX 50~75KTL3-XL 2

- 8 MPPTs fusefree design
- Smart I/V scan and diagnosis
- Intelligent string monitoring
- AC&DC type II SPD
- IP66 and C5 protection



Topology Diagram



Primary Specification

Datasheet	MAX 50KTL3-XL 2	MAX 60KTL3-XL 2	MAX 70KTL3-XL 2	MAX 75KTL3-XL 2
Input data (DC)				
Max. recommended PV power (for module STC)	100000W	120000W	105000W	112500W
Full load voltage range	370~600V			
Start voltage	195V			
Nominal voltage	370V			
MPP voltage range	180V~850VDC			
No. of MPP trackers	8			
No. of PV strings per MPP tracker	2			
Max. input current per MPP tracker	40A			
Max. short-circuit current per MPP tracker	50A			
Output data (AC)				
AC nominal power	50000W	60000W	70000W	75000W
Max. AC apparent power	55000VA	66000VA	66000VA @208V 70000VA @220V 73000VA @230V	71000VA @208V 75000VA @220V 78400VA @230V
Nominal AC voltage(range*)	127V/220V (101.6-139.7V)			
AC grid frequency (range*)	50/60 Hz (45~55Hz/55-65 Hz)			
Max. output current	145.8A @220V	175.0A @220V	183.7A @220V	196.9A @220V
Adjustable power factor	0.8leading...0.8lagging			
THDi	<3%			
AC grid connection type	3W/PE or 3W/N/PE			
Efficiency				
Max. efficiency	98.80%			
European efficiency	98.30%			
MPPT efficiency	99.90%			
Protection devices				
DC reverse polarity protection	Yes			
DC switch	Yes			
AC/DC surge protection	Type II / Type II			
Insulation resistance monitoring	Yes			
AC short-circuit protection	Yes			
Ground fault monitoring	Yes			
String detection	Yes			
Anti PID function	Opt			
Arc fault detection (AFCI)	Opt			
General data				
Dimensions (W / H / D)	970/640/345mm			
Weight	84kg			
Operating temperature range	-30°C ... +60°C			
Nighttime power consumption	< 1W			
Topology	Transformerless			
Cooling	Smart Cooling			
Protection degree	IP66			
Relative humidity	0~100%			
Altitude	4000m			
DC connection	H4/MC4			
AC connection	OT Terminal connectors (Max. 240mm ²)			
Display	LED/WIFI+APP			
Interfaces: RS485 / USB /PLC	Yes/Yes /Optional			
Warranty: 5 years / 10 years	Yes /Optional			
CE,IEC62116, IEC61727, UI1741 IEEE1547				

* The AC voltage range and frequency range may vary depending on specific country grid standard.
All specifications are subject to change without notice.